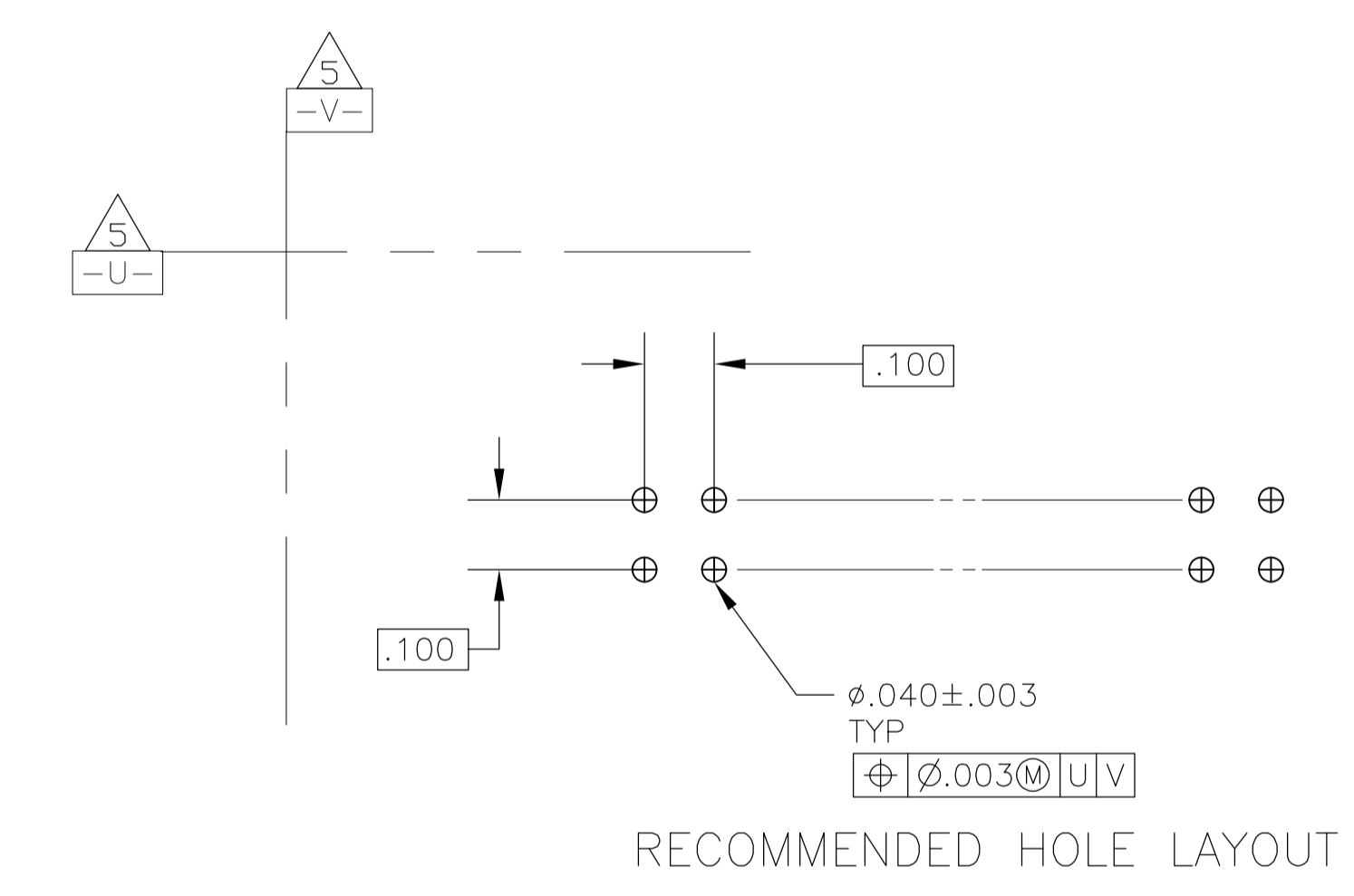
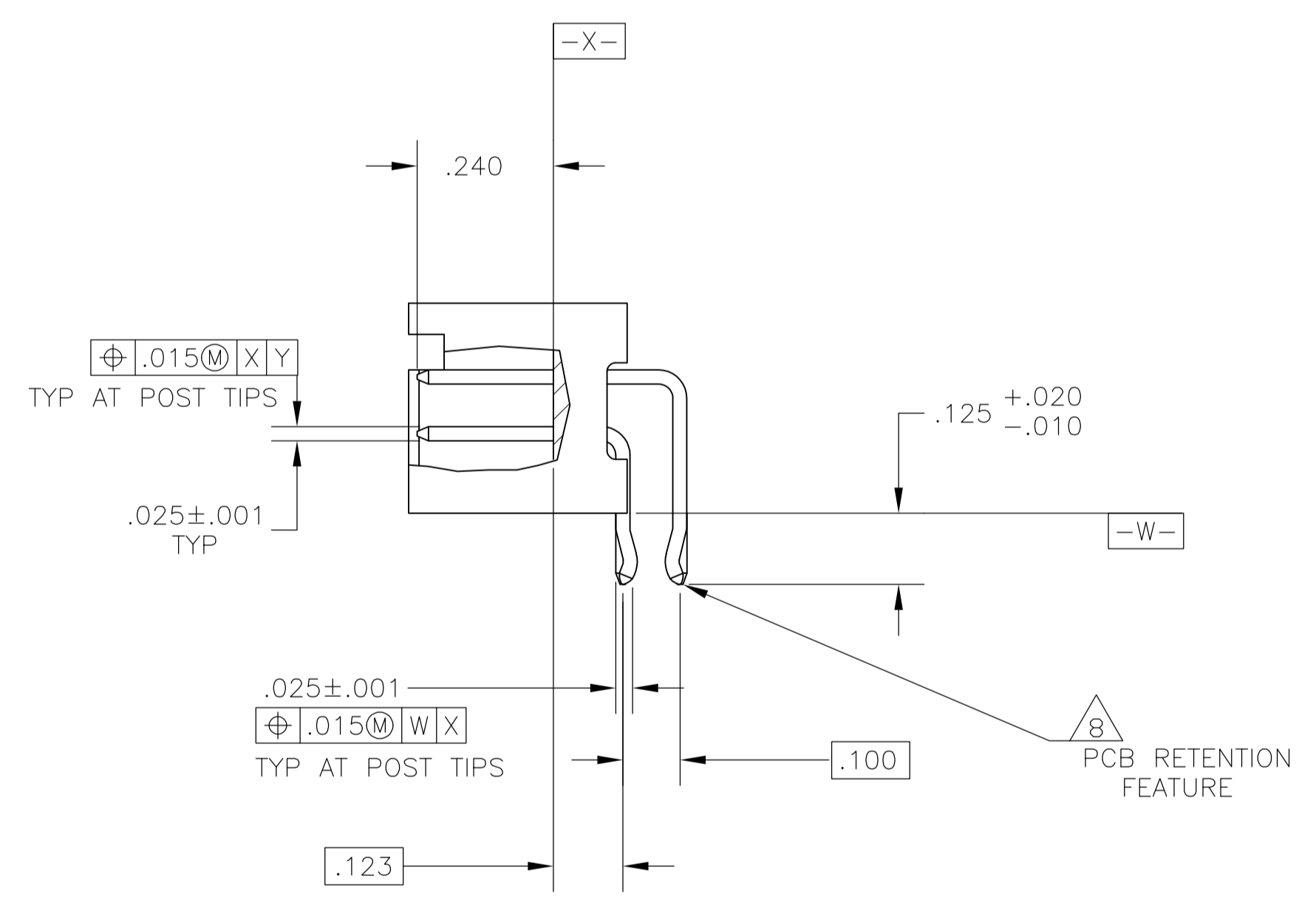
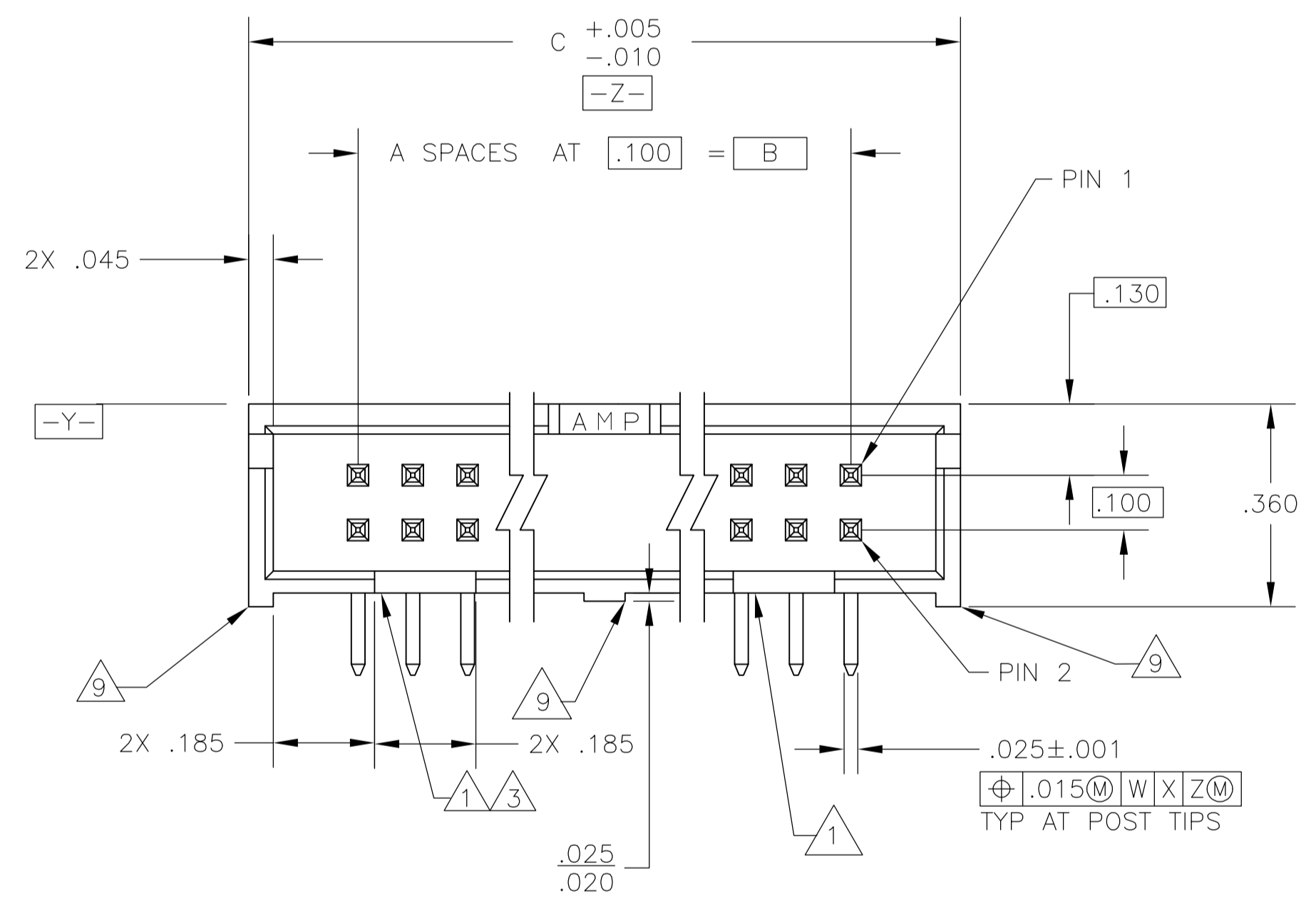
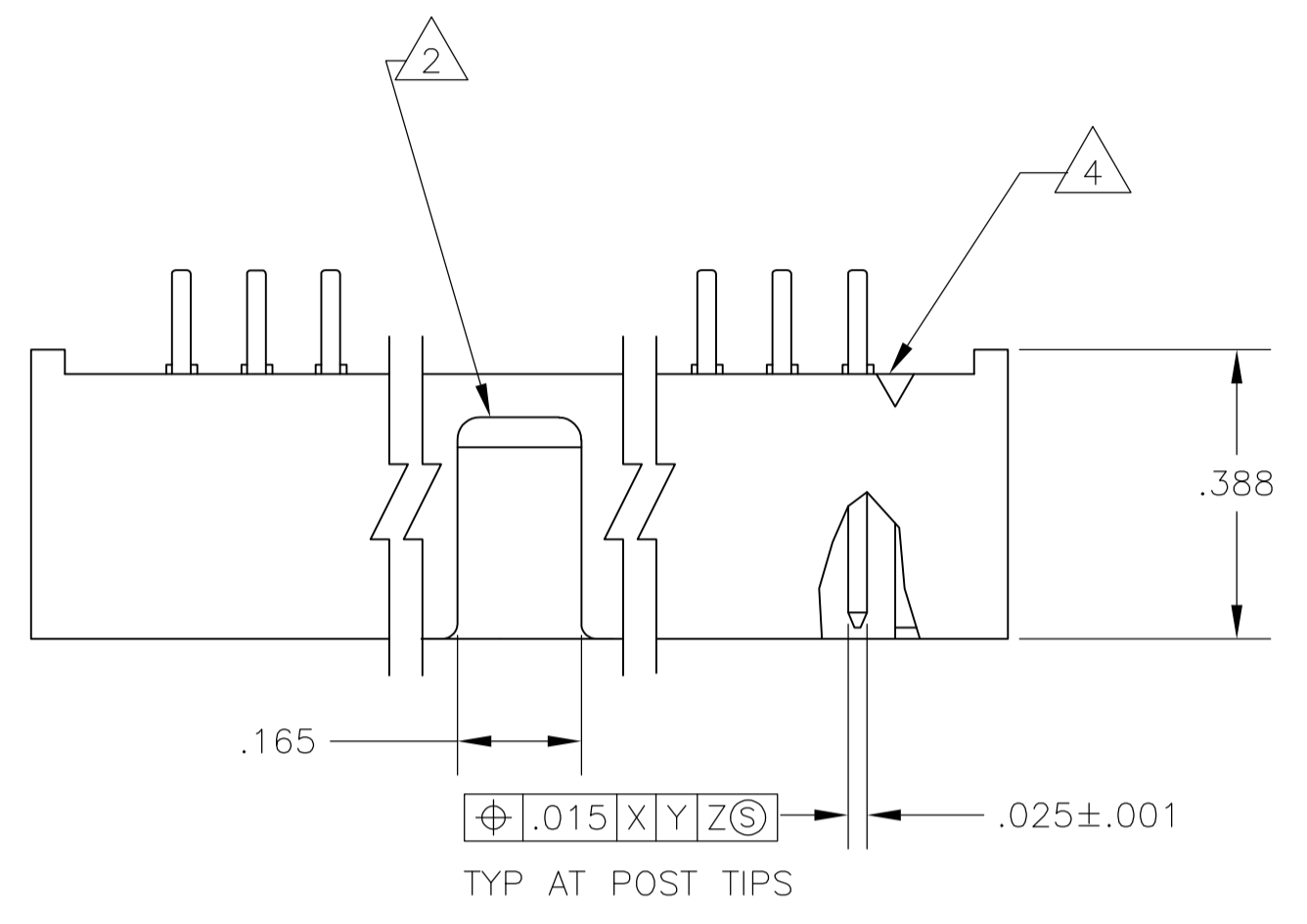


LOC		DIST		REVISIONS				
GP	00	REV	DATE	BY	CHK	APPV		
E		REVISED PER ECO-11-003735	16MAR2011	CJV	SLB			

- 1 DOUBLE POLARIZATION SLOTS.
- 2 CENTER POLARIZATION SLOT.
- 3 FOR 10 POSN ASSEMBLY, SLOT OMITTED IN THIS LOCATION.
- 4 NUMBER 1 POSITION INDICATOR.
- 5 DATUMS U AND V TO BE ESTABLISHED BY THE CUSTOMER.
- 6 HOUSING: GLASS FILLED PPA, UL 94V-0, COLOR: BLACK. POSTS: BRASS.
- 7 POSTS: GOLD FLASH OVER PALLADIUM-NICKEL PLATE, .000015 MIN TOTAL ON THE MATING SURFACES, .000100 MIN TIN PLATE ON THE SOLDER-TAILS, .000050 MIN NICKEL UNDERPLATE ON THE ENTIRE POST. -OR- .000015 MIN GOLD PLATE ON THE MATING SURFACES, .000100 MIN TIN PLATE ON THE SOLDER-TAILS, .000050 MIN NICKEL UNDERPLATE ON THE ENTIRE POST.
- 8 THE RETENTION FEATURE ON THE SOLDER-TAILS WAS DESIGNED FOR A PCB THICKNESS OF .062±.007. THIS FEATURE ONLY APPLIES TO THE SOLDER-TAILS LOCATED ON THE END POSITIONS OF THE CONNECTOR (4 PLACES).
- 9 STANDOFFS: ALL POSITION SIZES - 2 LOCATED AT ENDS OF HOUSING. 20 THRU 34 POSITION SIZES - 1 OPTIONAL STANDOFF CENTERED ON HOUSING. 40 & 50 POSITION SIZES - 2 OPTIONAL STANDOFFS EVENLY SPACED WITHIN REMAINING LENGTH OF HOUSING.



2.800	2.400	24	50	5104340-9
2.300	1.900	19	40	5104340-8
2.000	1.600	16	34	5104340-7
1.500	1.100	11	24	5104340-5
1.300	.900	9	20	5104340-4
1.100	.700	7	16	5104340-3
1.000	.600	6	14	5104340-2
.800	.400	4	10	5104340-1
C	B	A	NO OF POSN	PART NUMBER

THIS DRAWING IS A CONTROLLED DOCUMENT.

DIMENSIONS: INCHES	TOLERANCES UNLESS OTHERWISE SPECIFIED:	0 PLC ± -	1 PLC ± -	2 PLC ± -	3 PLC ± .005	4 PLC ± -	ANGLES ± -
--------------------	--	-----------	-----------	-----------	--------------	-----------	------------

DIN B LATTUCA 03 NOV 05	CHK S BOLASH 03 NOV 05	APPV M WALMSLEY 03 NOV 05	NAME M WALMSLEY
PRODUCT SPEC 108-40018		APPLICATION SPEC	
SIZE A1	CAGE CODE 00779	DRAWING NO C=5104340	RESTRICTED TO
CUSTOMER DRAWING		SCALE 4:1	SHEET 1 OF 1 REV E

Tyco Electronics Corporation  
 Harrisburg, PA 17105-3608

HEADER ASSY, RIGHT ANGLE, LOW PROFILE, AMP-LATCH